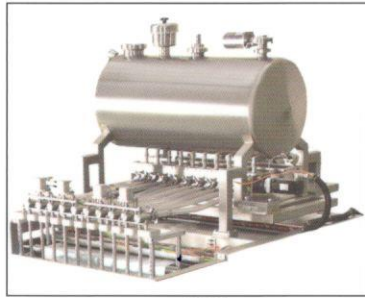


Auger filler



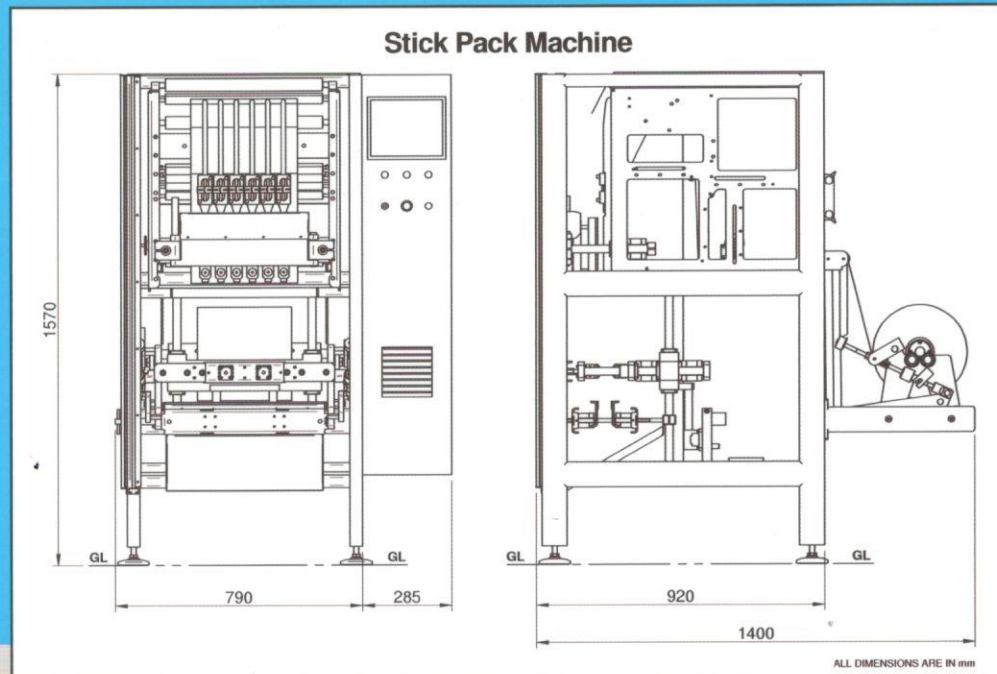
Liquid filler



Vertical Stick Pack Machine MODEL PK-ST



Vertical Stick Pack Machine MODEL PK-ST



TECHNICAL DATA

	POWDER	GRANULES	LIQUIDS
NUMBER OF TRACKS	3/5	5/6/10	3/6
STICK WIDTH	25 mm - 35 mm	17 mm - 35 mm	15 mm - 35 mm
FILLING WEIGHT	1 gm - 30gm	1 gm - 15 gm	1 ml - 10 ml
MIN. STICK LENGTH	40 mm	40 mm	40 mm
MAX. STICK LENGTH	200 mm	200 mm	200 mm
MAX. CAPACITY (per track)	25- 30 pcs/min	30 - 40 pcs/min	20 - 30 pcs/min
POWER	3.5 KW	4 KW	4 KW
ELECTRICALS	440V, 3 PHASE, 50-60 Hz Cycle	440V, 3 PHASE, 50-60 Hz Cycle	440V, 3 PHASE, 50-60 Hz Cycle
COMPRESSED AIR	6 Bar Pressure	6 Bar Pressure	6 Bar Pressure

APPLICATIONS

Dry Products : Milk Powder, 3 in 1 Coffee Mix, Sugar, Instant Drink Powder, Pharma Powder, etc....

Liquid Products : Tomato Ketchup, Mayonnaise, Mustard Paste, Oil, Vinegar, Honey, etc.